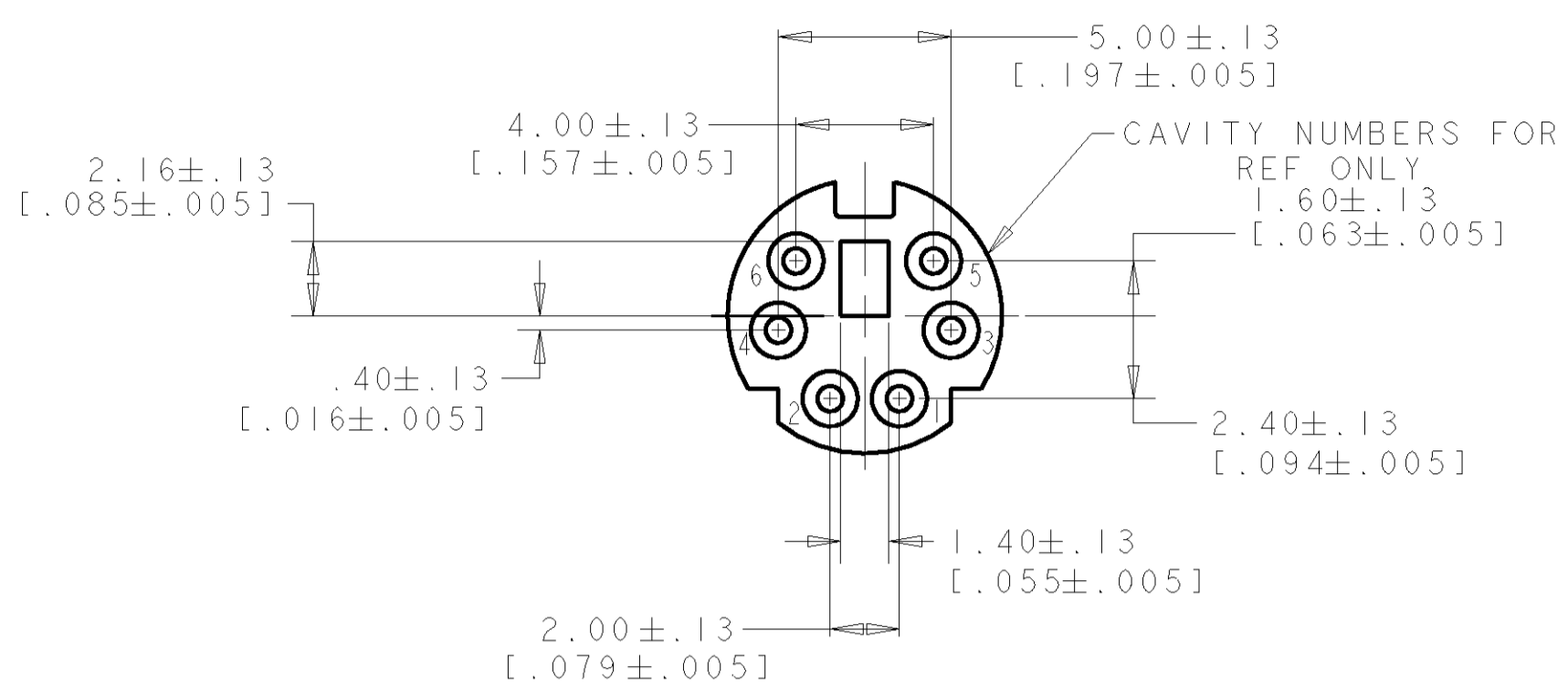
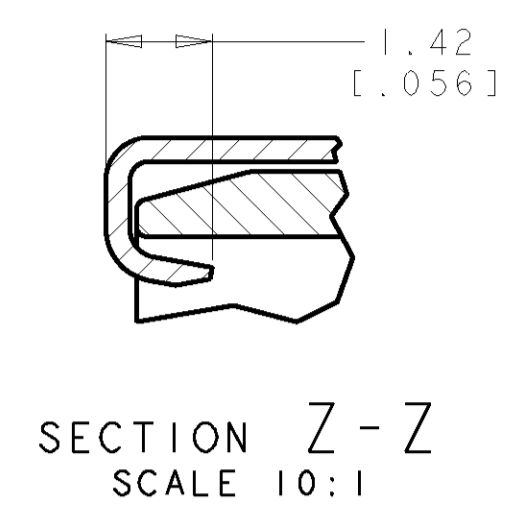
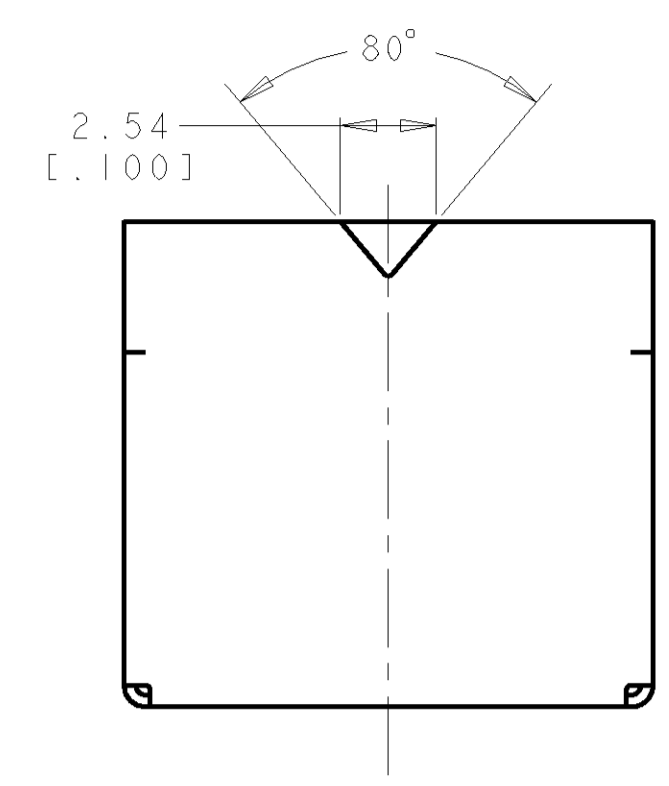
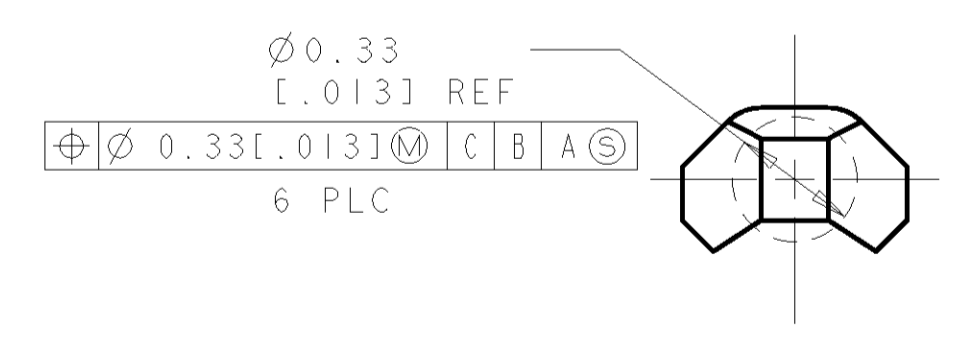
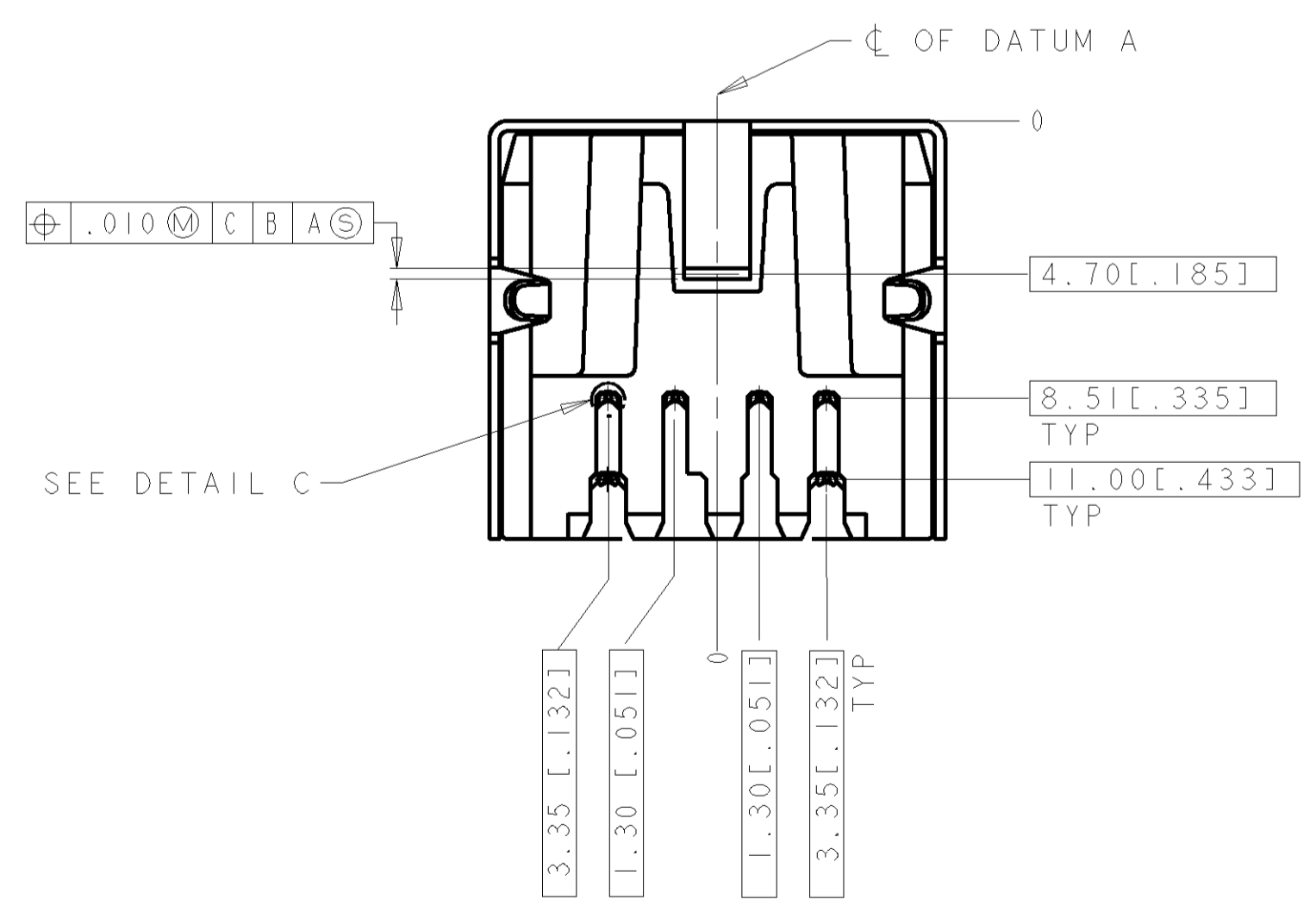
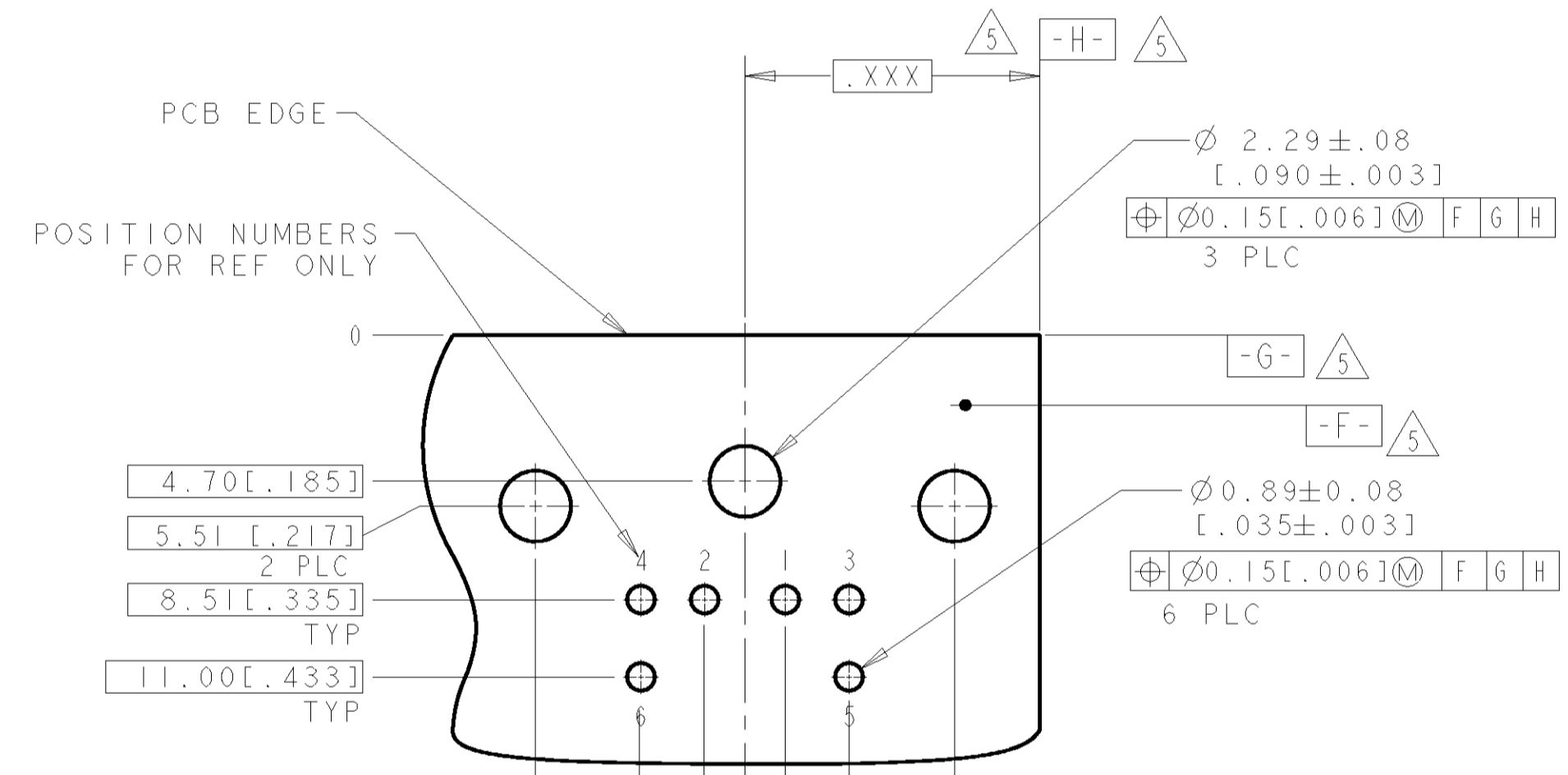
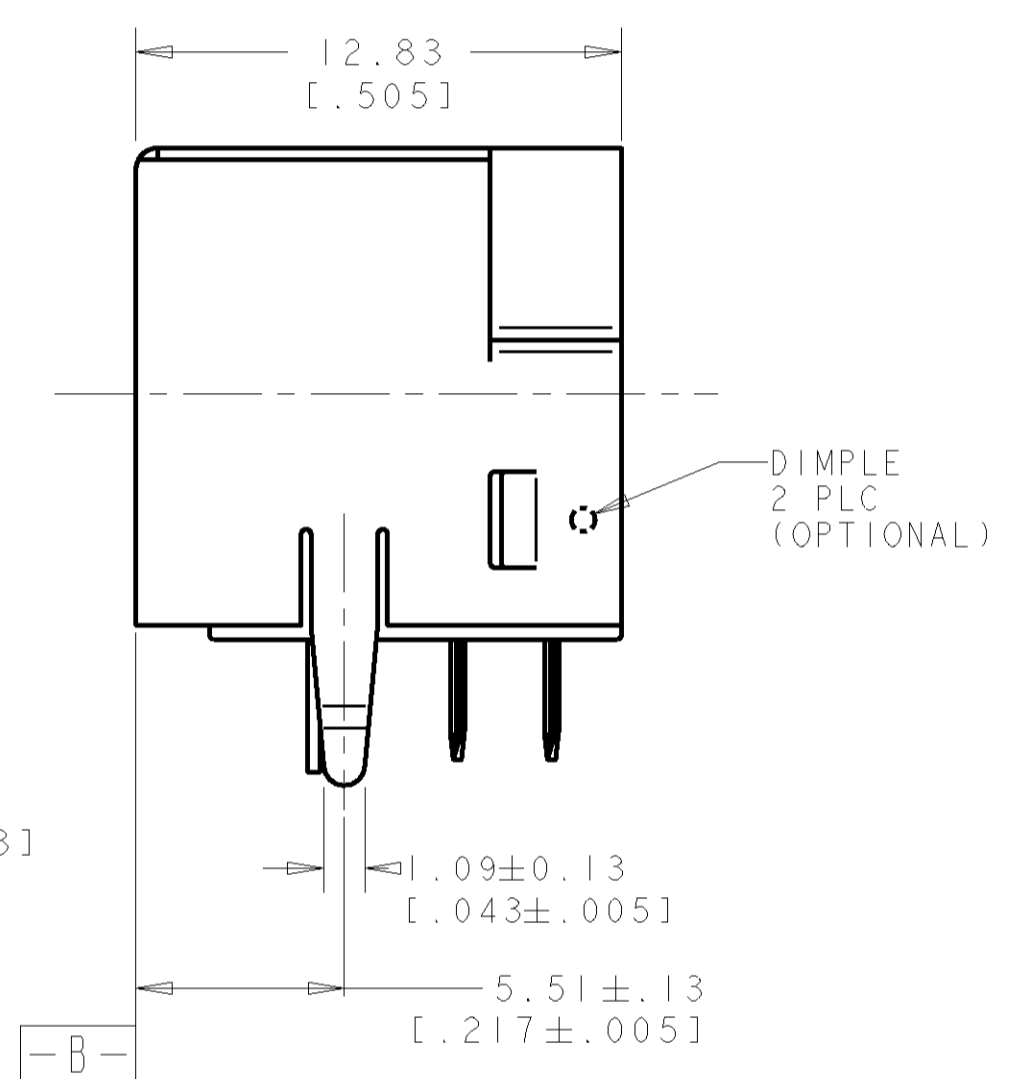
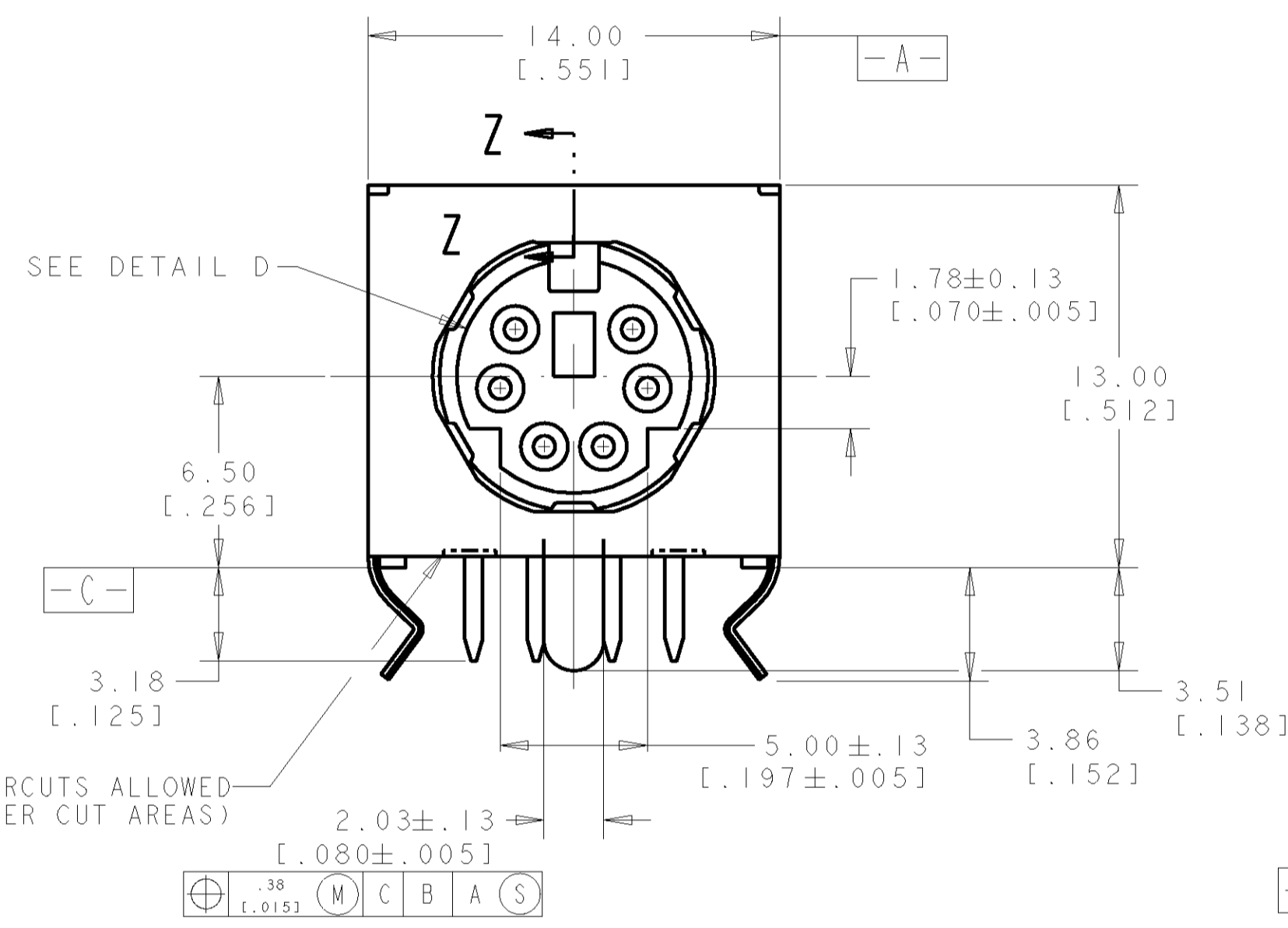


LOC	DIST	REVISIONS			
F	LTR	DESCRIPTION	DATE	DNM	APRD
A1		REVISED PER ECO-11-005139	19MAR11	RK	HMR



- △ RECEPTACLE CONTACTS: COPPER ALLOY.
RECEPTACLE SHIELD: COPPER ALLOY.
HOUSING: THERMOPLASTIC, BLACK, UL 94V-0 RATED.
- △ PLATING:
RECEPTACLE CONTACTS - GOLD PLATED .00076 MIN [0.00030 MIN] THICK
ON MATING END, MATTE-TIN PLATED .0030 MIN [0.000120 MIN] THICK
ON SOLDER TAIL ALL OVER .0013 MIN [0.000050 MIN] THICK NICKEL.
- △ PLATING:
SHIELD: PRE-TIN PLATED
- 4. RECEPTACLE ASSEMBLY MATES WITH 6 PIN 9.00±.10 [0.354±.004]
DIAMETER PLUG.
- △ DATUMS AND BASIC DIMENSION SUPPLIED BY CUSTOMER.



ALL	5749180-1
POSITIONS LOADED	PART NO

DIMENSIONS: mm [INCHES]		TOLERANCES UNLESS OTHERWISE SPECIFIED:		DWN WYLLIE 28DEC2004	
0 PLC	±	0 PLC	±	ENR WYLLIE	TE Connectivity NAME RECEPTACLE ASSY W/ HOLD DOWN, 6 POS RIGHT ANGLE, MINIATURE CIRCULAR DIN PRODUCT SPEC 108-1225 APPLICATION SPEC SIZE A1 CAGE CODE 00779 DRAWING NO C=5749180 SCALE 5:1 SHEET 1 OF 1 REV A1
1 PLC	±	1 PLC	±	DESIGN SF LEONG	
2 PLC	±	2 PLC	±	APRD SF LEONG	
3 PLC	±	3 PLC	±	APRD SF LEONG	
4 PLC	±	4 PLC	±	APRD SF LEONG	
5 PLC	±	5 PLC	±	APRD SF LEONG	
6 PLC	±	6 PLC	±	APRD SF LEONG	
MATERIAL		FINISH		WEIGHT	
				CUSTOMER DRAWING	